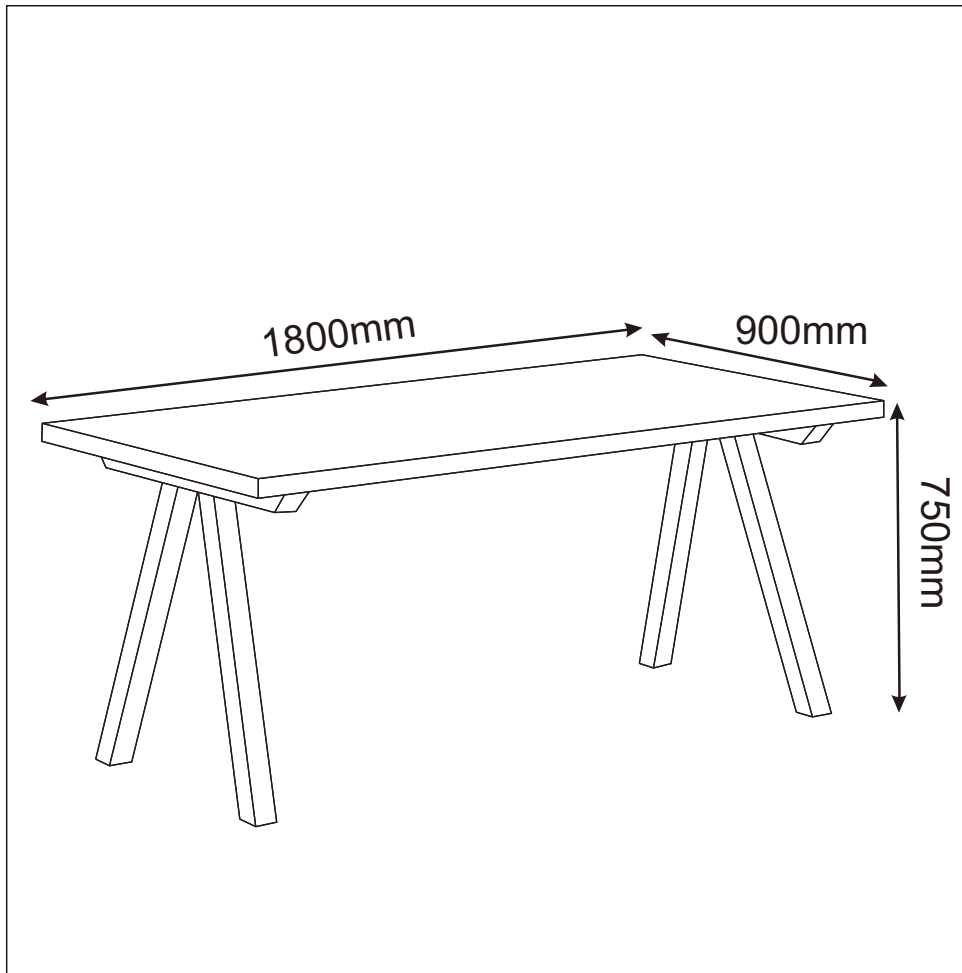


ASSEMBLY INSTRUCTION
CARR
1800 DINING TABLE
ITEM CODE 84629



Imported by JWA Furniture Pty Ltd, Qld, Brisbane Australia.

For any assistance with assembly or for missing parts please refer to your receipt






PRE-ASSEMBLY PREPARATION




Before you start:

1. Choose a clean, level, spacious assembly area. Avoid hard surfaces that may damage the product
2. Take care when lifting. Product should be assembled as near as possible to the point of use
3. Ensure that you have all required contents for complete assembly
4. Always read the assembly instructions carefully before beginning assembly.
5. Keep all hardware parts and packaging out of reach of small children.
6. Do not over tighten the screws and bolts as this may damage the threads

		
Allow 10 min	For 2 people	Additional tools required

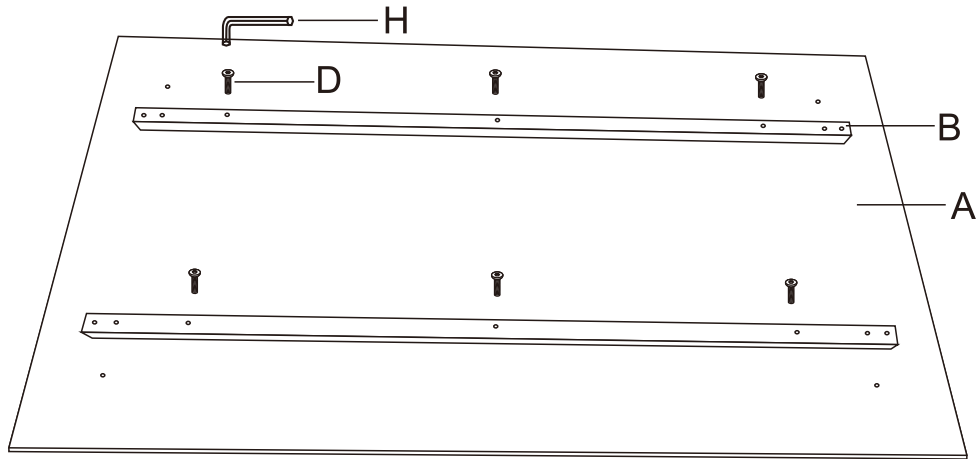
PARTS LIST

A	B	C	D	E
			 8x65mm	 8x30mm
1	2	2	6	8

F	G	H
 8x85mm		 M6
4	4	1

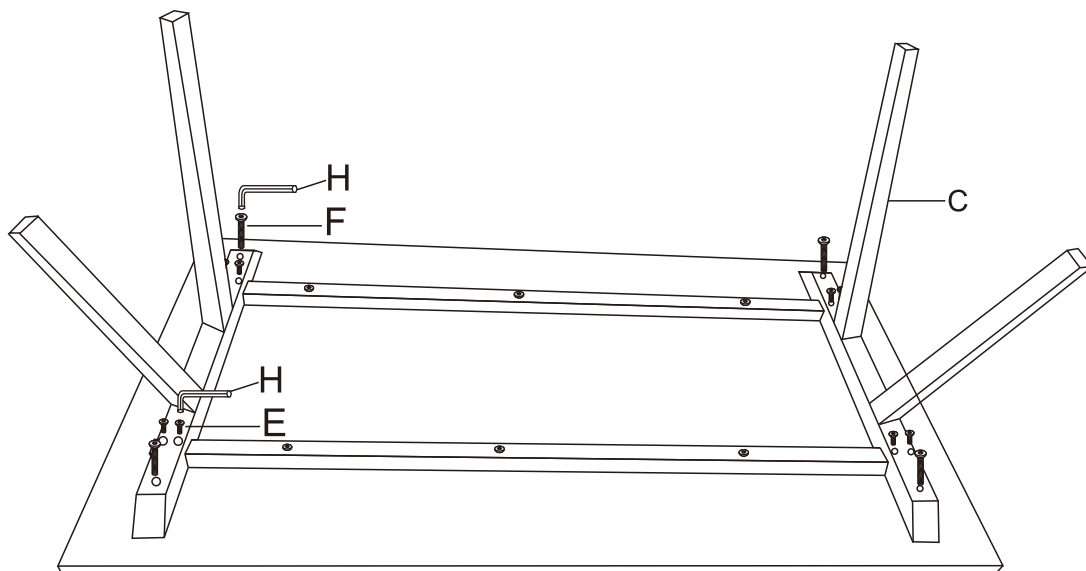
STEP 1:

- Turn over the table top (A) and put it on a protected surface
- Tighten (80%) the bar (B) with screw (D) and Allen (H)



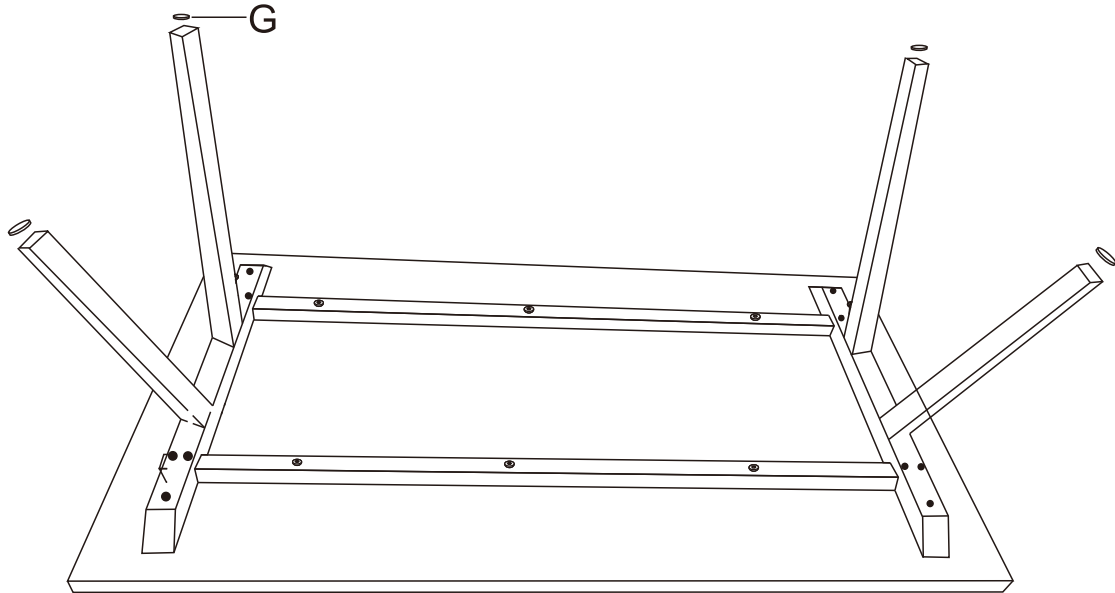
STEP 2:

- Put the table leg (C) on table top
- Tighten (80%) the screw (E) with Allen (H)
- Tighten (80%) the screw (F) with Allen (H)
- Tighten (100%) all the screws

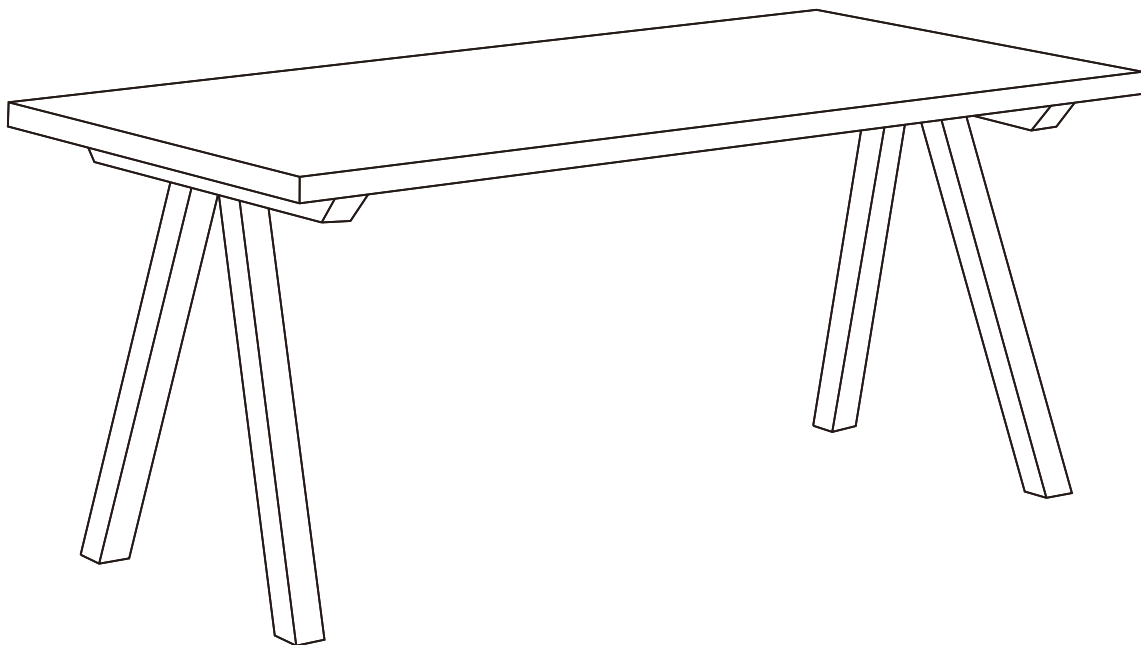


STEP 3:

- Stick the table feet (G)



ASSEMBLY IS COMPLETE



PRODUCT CARE:

TABLE

1. When assembling your table please ensure that you have checked the contents for all relevant parts.
2. When tightening bolts make sure that they are fully tightened but not forced.
3. When moving your fully assembled table, take care when lifting and always have two people handling the table. PLEASE DO NOT DRAG THE TABLE as this will cause damage to the leg.
4. It is advisable to use approved cleaning products when cleaning the table as certain chemical based cleaners could have an adverse effect on the table finish.